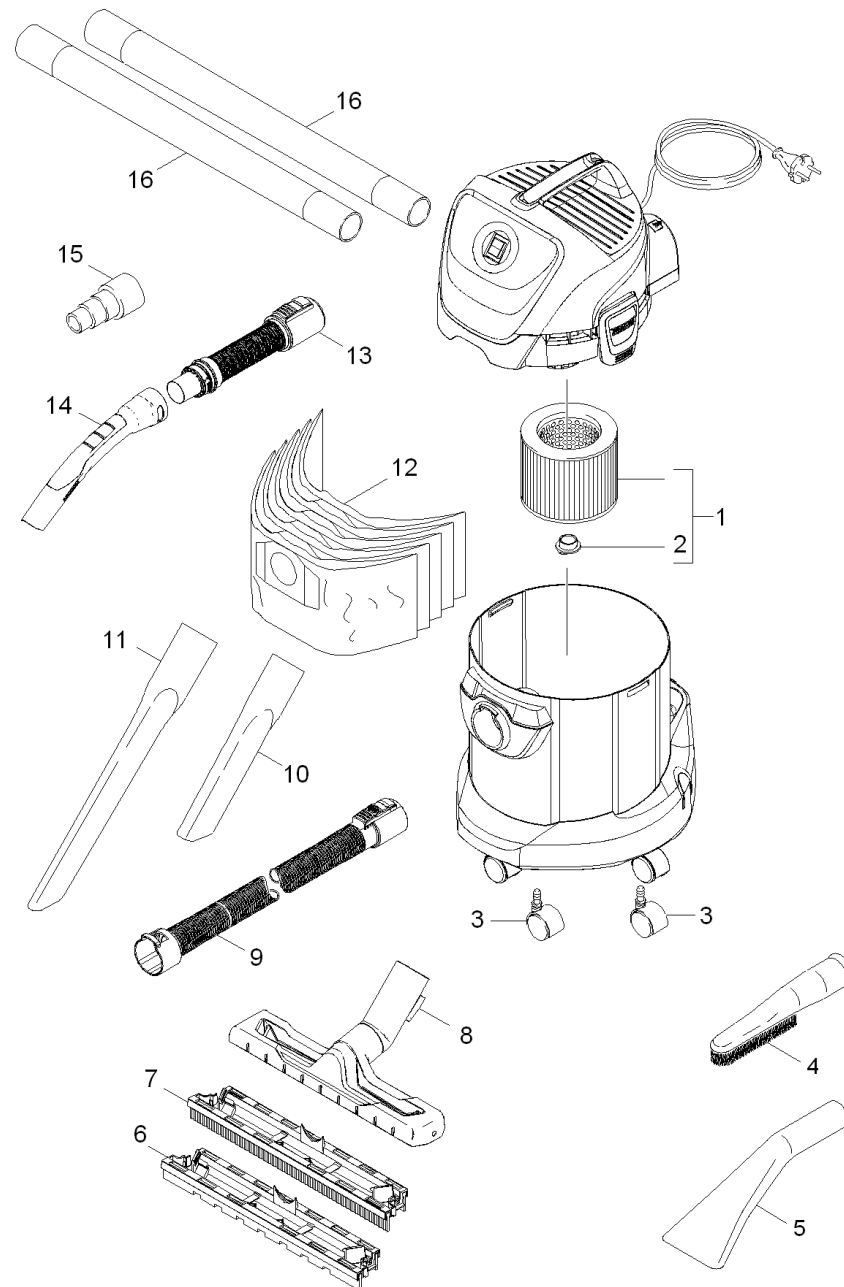


Short spare parts list (1.629-840.3)

Home and Garden \ Vacuum cleaner \ Wet-/Dry vacuum cleanerwet \ WD 3 Premium *EU-I \ Short spare parts list



Short spare parts list (1.629-840.3)

Home and Garden \ Vacuum cleaner \ Wet-/Dry vacuum cleanerwet \ WD 3 Premium *EU-I \ Short spare parts list

KÄRCHER

| POS | Article no. | Description | Quantity | Unit |
|-----|-------------|----------------------------------|----------|------|
| 1 | 6.414-552.0 | Cartridge filter | 1.000 | ST |
| 2 | 4.075-012.0 | Closure complete | 1.000 | ST |
| 3 | 6.435-353.0 | Castor D 42 | 2.000 | ST |
| 4 | 2.863-147.0 | Suction brush black | 1.000 | ST |
| 5 | 2.863-145.0 | Car nozzle packaged | 1.000 | ST |
| 6 | 4.629-015.0 | Insert dry floor nozzle packaged | 1.000 | ST |
| 7 | 4.629-014.0 | Insert wet floor nozzle packaged | 1.000 | ST |
| 8 | 4.629-013.0 | Floor tool clip packaged | 1.000 | ST |
| 9 | 4.441-068.0 | Hose extension packaged 1,5 m | 1.000 | ST |
| 10 | 6.900-385.0 | Crevice nozzle DN35 | 1.000 | ST |
| 11 | 2.863-144.0 | Crevice nozzle 350mm | 1.000 | ST |
| 12 | 6.959-130.0 | Filter bags 5St. | 1.000 | ZSA |
| 13 | 4.441-066.0 | Hose complete packaged | 1.000 | ST |
| 14 | 2.863-012.0 | Hand grip suction hose | 1.000 | ST |
| 15 | 9.048-061.0 | Connecting sleeve | 1.000 | ST |
| 16 | 2.863-148.0 | Suction tube DN35 | 2.000 | ST |